

JELD WEN

WINDOWS & DOORS

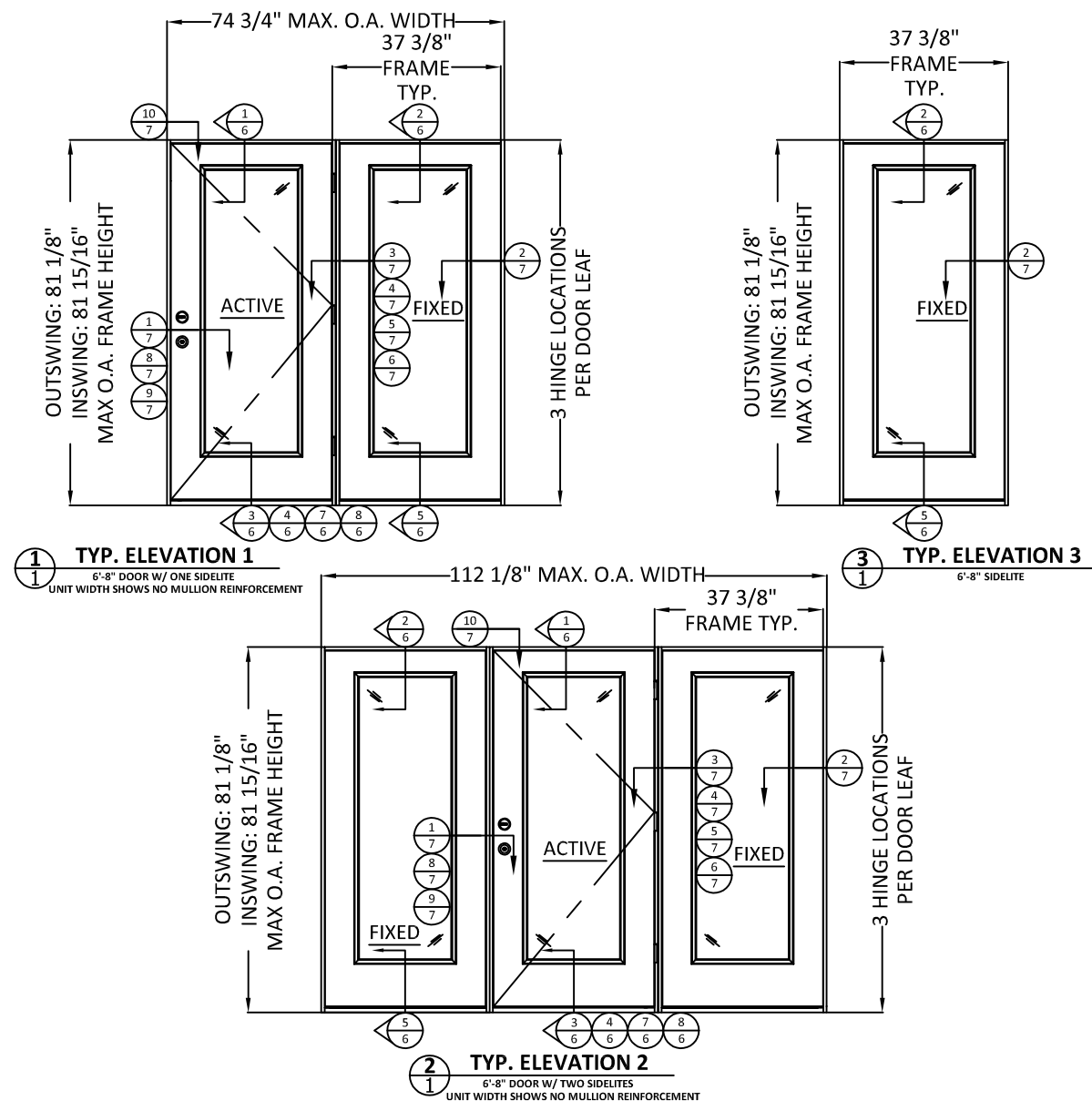
DESIGN PRO / SMOOTH PRO FULL LITE NON-IMPACT

FOR USE OUTSIDE THE HIGH VELOCITY HURRICANE ZONE (HVHZ)

GENERAL NOTES:

- THE PRODUCT SHOWN HEREIN IS DESIGNED AND MANUFACTURED TO COMPLY WITH THE CURRENT INTERNATIONAL BUILDING CODE (IBC), INTERNATIONAL RESIDENTIAL CODE (IRC), AND FLORIDA BUILDING CODE (FBC), **EXCLUDING** HVHZ AND HAS BEEN EVALUATED ACCORDING TO THE FOLLOWING:
 - ASTM E330-02
 - ASTM E283-04
 - AAMA 1304-02
- ADEQUACY OF THE EXISTING STRUCTURAL CONCRETE/MASONRY OR 2X FRAMING AS A MAIN WIND FORCE RESISTING SYSTEM CAPABLE OF WITHSTANDING AND TRANSFERRING APPLIED PRODUCT LOADS TO THE FOUNDATION IS THE RESPONSIBILITY OF THE ENGINEER OR ARCHITECT OF RECORD FOR THE PROJECT OF INSTALLATION.
- THE INSTALLATION DETAILS DESCRIBED HEREIN ARE GENERIC AND MAY NOT REFLECT ACTUAL CONDITIONS FOR A SPECIFIC SITE. IF SITE CONDITIONS CAUSE INSTALLATION TO DEVIATE FROM THE REQUIREMENTS DETAILED HEREIN, A LICENSED ENGINEER OR ARCHITECT SHALL PREPARE SITE SPECIFIC DOCUMENTS FOR USE WITH THIS DOCUMENT.
- APPROVED IMPACT PROTECTIVE SYSTEM **IS REQUIRED** ON THIS PRODUCT IN AREAS REQUIRING IMPACT RESISTANCE.
- GLASS MEETS THE REQUIREMENTS OF ASTM E 1300 GLASS CHARTS. SEE SHEET 4 FOR GLAZING DETAILS.
- FIXED FULL LITE APPROVAL COVERS USE OF FRACTIONAL GLAZING, INCLUDING INTERNAL GRID, BLINDS BETWEEN GLASS, DECO, AND EXTERNAL AND INTERNAL WROUGHT IRON. RADIUS (SHAPED) LITES ARE QUALIFIED FOR 6'-8" DOORS AT DP +/-50 PSF ONLY.
- 6-PANEL DOOR SHOWN FOR ILLUSTRATION PURPOSES. ADDITIONAL PANEL CONFIGURATIONS AND FLUSH DOORS ARE QUALIFIED.
- NOTE: OPERATING AFCO H-497 SILL MEETS WATER INFILTRATION AT WATER TEST PRESSURE (WTP) OF 9.75 PSF. FIXED SIDELITE MEETS WATER INFILTRATION AT WTP OF 7.5 PSF. REMAINING SILLS NOT RATED FOR WATER INFILTRATION. IF AUTHORITY HAVING JURISDICTION REQUIRES THAT PRODUCT MEETS THIS REQUIREMENT, PRODUCT SHALL BE USED WHEN INSTALLED AT LOCATION PROTECTED BY OVERHANG SUCH THAT OVERHANG (OH) RATIO = OH LENGTH ÷ OH HEIGHT IS ≥ 1.0

TABLE OF CONTENTS		
SHEET	REVISION	SHEET DESCRIPTION
1	A	TYPICAL ELEVATIONS, DESIGN PRESSURES, AND GENERAL NOTES
2	A	TYPICAL ELEVATIONS
3	A	TYPICAL ANCHOR LAYOUTS AND NOTES
4	A	QUALIFIED CONFIGURATIONS & GLAZING DETAIL
5	-	OPTIONAL 2X BUCK ANCHORING DETAILS
6	A	VERTICAL ASSEMBLIES
7	A	HORIZONTAL ASSEMBLIES
8	A	WOOD SUBSTRATES
9	A	CONCRETE SUBSTRATES
10	A	COMPONENTS & BILL OF MATERIALS



- NOTES:**
- ALL DOORS SHOWN IN CONFIGURATIONS ON THIS SHEET MAY BE LEFT HAND OR RIGHT HAND OPERATING DOORS.
 - SIDELITE MAY BE USED IN LIEU OF DOOR IN CONFIGURATIONS SHOWN ABOVE AS LONG AS O.A. DIMENSIONS ARE NOT SURPASSED.

CONFIGURATION	MAX. OVERALL NOMINAL SIZE		DESIGN PRESSURE (PSF)								MISSILE IMPACT RATING
			FINGER-JOINTED PINE				ALL OTHER MATERIALS				
			INSWING		OUTSWING		INSWING		OUTSWING		
WIDTH	HEIGHT	POS.	NEG.	POS.	NEG.	POS.	NEG.	POS.	NEG.		
O	3'-0"	6'-8"	50*	55	50*	55	50*	50	50*	50	NON-IMPACT
O,X,O	9'-0"	6'-8"	50*	55	50*	55	50*	50	50*	50	NON-IMPACT
O,X,O VENT LITE	9'-0"	6'-8"	50*	55	50*	55	50*	50	50*	50	NON-IMPACT
O,X,O RADIUS	9'-0"	6'-8"	50*	50	50*	50	50*	50	50*	50	NON-IMPACT
O	3'-0"	8'-0"	45*	45	45*	45	45*	45	45*	45	NON-IMPACT
O,X,O	9'-0"	8'-0"	45*	45	45*	45	45*	45	45*	45	NON-IMPACT
X,O	6'-0"	6'-8"	50*	55	50*	55	50*	50	50*	50	NON-IMPACT
X,O VENT LITE	6'-0"	6'-8"	50*	55	50*	55	50*	50	50*	50	NON-IMPACT
X,O RADIUS	6'-0"	6'-8"	50*	50	50*	50	50*	50	50*	50	NON-IMPACT
X,O	6'-0"	8'-0"	45*	45	45*	45	45*	45	45*	45	NON-IMPACT

*SEE GENERAL NOTE 7, SHEET 1, FOR WATER INFILTRATION APPROVED SILLS.

PREPARED BY:



BUILDING DROPS, INC.
 398 E. DANIA BEACH BLVD., STE. 338
 DANIA BEACH, FL 33004
 PH: (954)399-8478
 FAX: (954)744.4738
 WEB: www.buildingdrops.com

TITLE: DESIGN PRO/SMOOTH PRO FULL LITE
 NON-IMPACT
 TYPICAL ELEVATIONS, DESIGN PRESSURES, AND GENERAL NOTES

3737 LAKEPORT BLVD.,
 KLAMATH FALLS, OR 97601
 PH: (541)882-3451
 FAX: (541)850-2609



REMARKS	BY	DATE
Add ADA sill, Multi-Point Lock & Radius Lite	GL	06/23/14
Reference DWG. #A010836A	AM	09/04/19

THE INSTALLATION DETAILS DESCRIBED HEREIN ARE GENERIC AND MAY NOT REFLECT ACTUAL CONDITIONS FOR A SPECIFIC SITE. IF SITE CONDITIONS CAUSE INSTALLATION TO DEVIATE FROM THE REQUIREMENTS DETAILED HEREIN, A LICENSED ENGINEER OR ARCHITECT SHALL PREPARE SITE SPECIFIC DOCUMENTS FOR USE WITH THIS DOCUMENT.



DATE: 02.05.14
 DWG. BY: GL/TJM
 CHK. BY: SS/MSS
 SCALE: NTS
 DWG. #: D015691
 SHEET: 1 OF 10

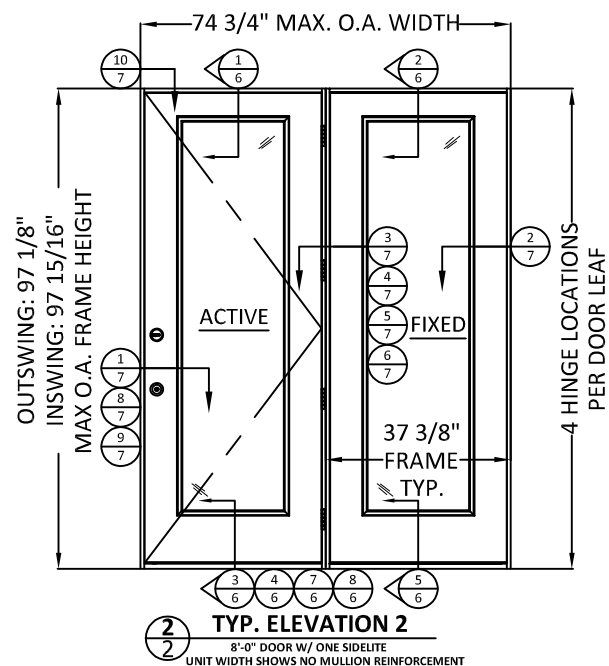
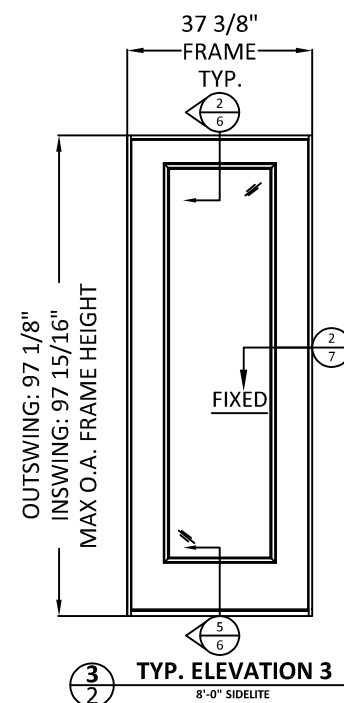
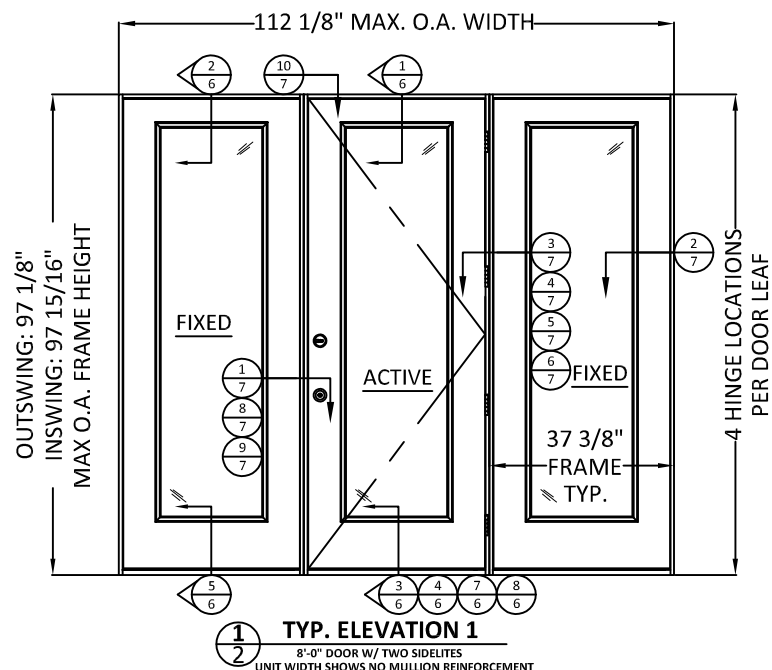
PREPARED BY:



BUILDING DROPS, INC.
 398 E. DANIA BEACH BLVD., STE. 338
 DANIA BEACH, FL 33004
 PH: (954)399-8478
 FAX: (954)744.4738
 WEB: www.buildingdrops.com

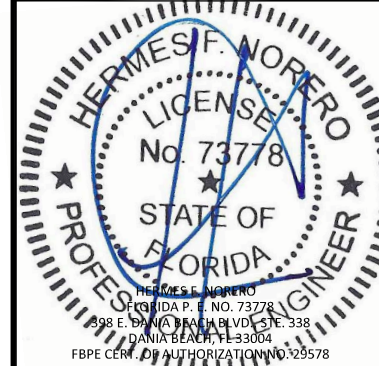
TITLE: DESIGN PRO/SMOOTH PRO FULL LITE
 NON-IMPACT
 TYPICAL ELEVATIONS

3737 LAKEPORT BLVD.,
 KLAMATH FALLS, OR 97601
 PH: (541)882-3451
 FAX: (541)850-2609



REMARKS	BY	DATE
Add ADA sill, Multi-Point Lock & Radius Lite	GL	06/23/14
Reference DWG. #A010836A	AM	09/04/19

THE INSTALLATION DETAILS DESCRIBED HEREIN ARE GENERIC AND MAY NOT REFLECT ACTUAL CONDITIONS FOR A SPECIFIC SITE. IF SITE CONDITIONS CAUSE INSTALLATION TO DEVIATE FROM THE REQUIREMENTS DETAILED HEREIN, A LICENSED ENGINEER OR ARCHITECT SHALL PREPARE SITE SPECIFIC DOCUMENTS FOR USE WITH THIS DOCUMENT.

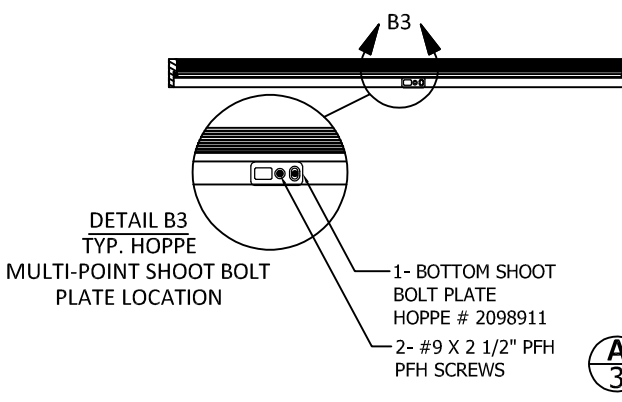


DATE:	02.05.14
DWG. BY:	GL/TJM
CHK. BY:	SS/MSS
SCALE:	NTS
DWG. #:	D015691
SHEET:	OF 10

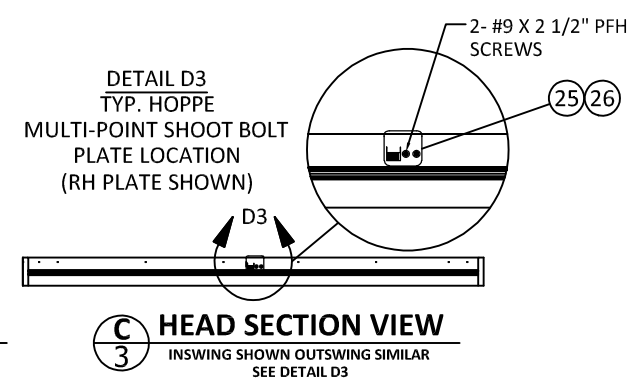
INSTALLATION NOTES:

- ONE (1) INSTALLATION ANCHOR IS REQUIRED AT EACH ANCHOR LOCATION SHOWN.
- SHIM AS REQUIRED AT EACH INSTALLATION ANCHOR WITH LOAD BEARING SHIM(S). MAXIMUM ALLOWABLE SHIM STACK TO BE 1/4 INCH. SHIM WHERE SPACE OF 1/16 INCH OR GREATER OCCURS. SHIM(S) SHALL BE CONSTRUCTED OF HIGH DENSITY PLASTIC OR BETTER.
- MINIMUM EMBEDMENT AND EDGE DISTANCE EXCLUDE WALL FINISHES, INCLUDING BUT NOT LIMITED TO STUCCO, FOAM, BRICK VENEER, AND SIDING.
- INSTALLATION ANCHORS AND ASSOCIATED HARDWARE MUST BE MADE OF CORROSION RESISTANT MATERIAL OR HAVE A CORROSION RESISTANT COATING, AND SHALL BE INSTALLED IN ACCORDANCE WITH ANCHOR MANUFACTURER'S INSTALLATION INSTRUCTIONS.
- FOR HOLLOW BLOCK AND GROUT FILLED BLOCK, DO NOT INSTALL INSTALLATION ANCHORS INTO MORTAR JOINTS. EDGE DISTANCE IS MEASURED FROM FREE EDGE OF BLOCK OR EDGE OF MORTAR JOINT INTO FACE SHELL OF BLOCK.
- FOR 2X STUD CONSTRUCTION, ANCHORING OF THESE PRODUCTS SHALL BE THE SAME AS FOR 2X BUCK CONCRETE/MASONRY CONSTRUCTION.
- INSTALLATION ANCHOR CAPACITIES FOR PRODUCTS HEREIN ARE BASED ON SUBSTRATE MATERIALS WITH THE FOLLOWING PROPERTIES:
 - WOOD - MINIMUM SPECIFIC GRAVITY OF 0.55.
 - CONCRETE - MINIMUM COMPRESSIVE STRENGTH OF 3000 PSI.
 - GROUT-FILLED CMU- UNIT STRENGTH CONFORMS TO ASTM C-90 WITH MINIMUM COMPRESSIVE STRENGTH OF 2000 PSI AND GROUT CONFORMS TO ASTM C 476, MINIMUM GROUT COMPRESSIVE STRENGTH OF 2000 PSI.
 - HOLLOW BLOCK CMU - UNIT STRENGTH CONFORMS TO ASTM C-90 WITH MINIMUM COMPRESSIVE STRENGTH OF 2000 PSI.
- SEE SHEETS 8 AND 9 FOR MORE DETAILS OF THE INSTALLATION REQUIREMENTS, INCLUDING ANCHOR LOCATIONS, EDGE DISTANCES, EMBEDMENTS, AND SHIM SPACING.
- OPTIONALLY, ANCHORS CAN BE PLACED IN NARROW SECTION OF HEAD OR JAMB AS LONG AS MINIMUM EMBEDMENT AND EDGE DISTANCE ARE ACHIEVED.

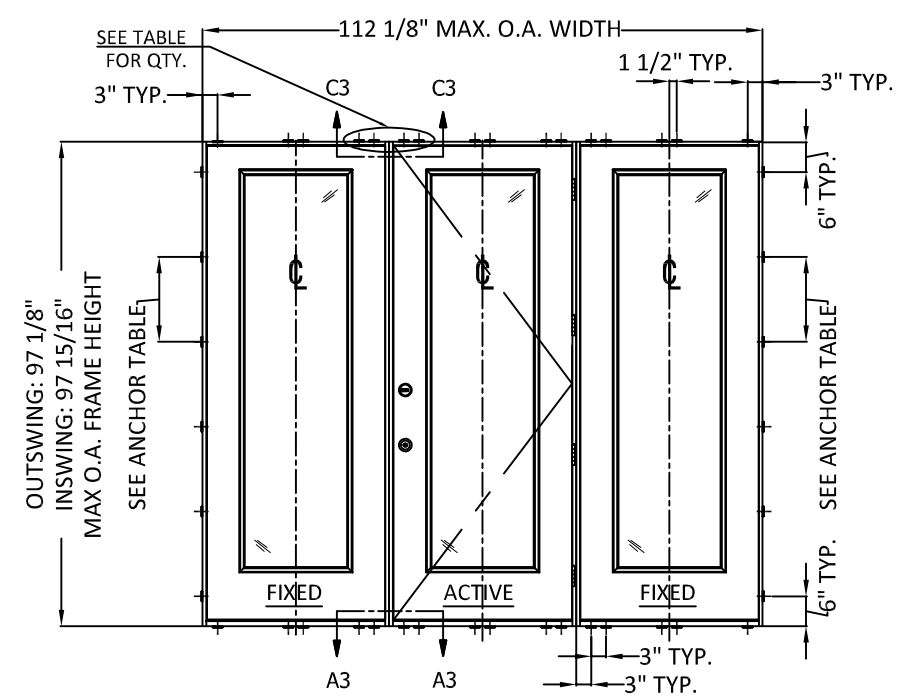
ANCHOR TABLE								
ANCHOR TYPE	ANCHOR SIZE	SUBSTRATE	MIN. EMBEDMENT	MIN. EDGE DISTANCE	6'8" DOORS		8'0" DOORS	
					MAX. O.C. SPACING AT JAMBS	# OF ANCHORS AT HEAD/SILL CLUSTERS	MAX. O.C. SPACING AT JAMBS	# OF ANCHORS AT HEAD/SILL CLUSTERS
WOOD SCREW	#10	2X WOOD BUCK OR FRAMING	1-1/2"	3/4"	17-1/2"	4	17-1/4"	4
ITW TAPCON	3/16"	CONCRETE/CMU	1-1/4"	2-1/2"	17-1/2"	4	17-1/4"	4
ELCO ULTRACON	1/4"	CONCRETE/CMU	1-3/8" - CONC. 1-1/4" - CMU	1"	17-1/2"	4	17-1/4"	4
ITW TAPCON	3/16"	CONCRETE/CMU	1-1/4"	1"	11-5/8"	8	14-3/8"	6



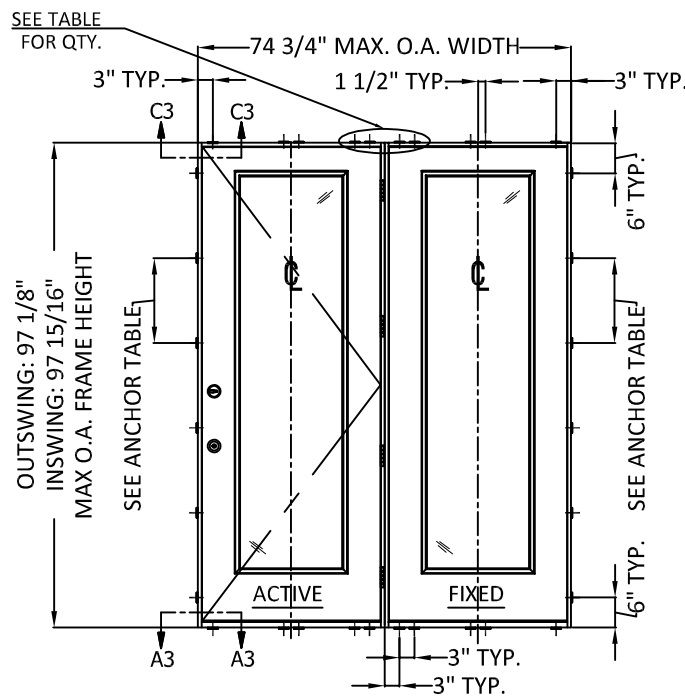
A SILL SECTION VIEW
INSWING SHOWN OUTSWING SIMILAR
SEE DETAIL B3



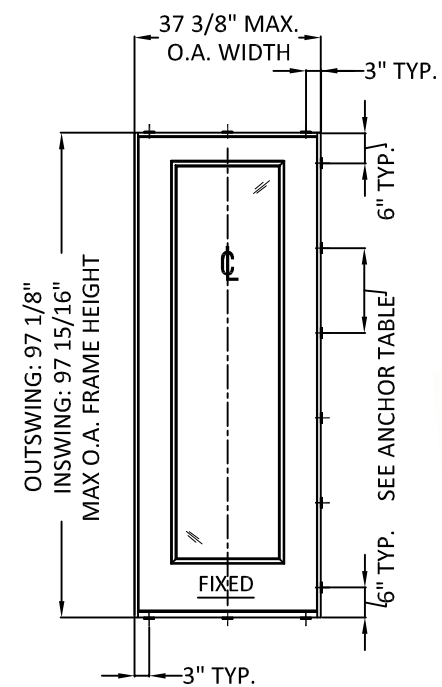
C HEAD SECTION VIEW
INSWING SHOWN OUTSWING SIMILAR
SEE DETAIL D3



1 TYP. ANCHOR LAYOUT
TYP. W/ TWO SIDELITES
6'-8" OR 8'-0" DOOR HEIGHT



2 TYP. ANCHOR LAYOUT
TYP. W/ ONE SIDELITE
6'-8" OR 8'-0" DOOR HEIGHT



3 TYP. ANCHOR LAYOUT
TYP. FIXED SIDELITE
6'-8" OR 8'-0" DOOR HEIGHT

- NOTES:**
- ALL DOORS SHOWN IN CONFIGURATIONS ON THIS SHEET MAY BE LEFT HAND OR RIGHT HAND OPERATING DOORS.
 - SIDELITE MAY BE USED IN LIEU OF DOOR IN CONFIGURATIONS SHOWN ABOVE AS LONG AS O.A. DIMENSIONS ARE NOT SURPASSED.

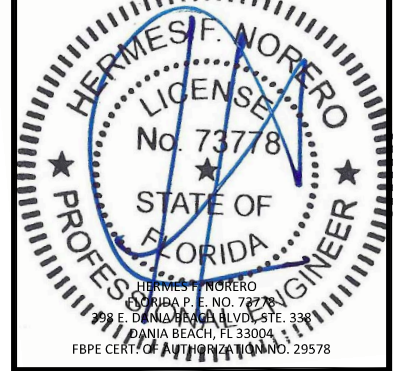
PREPARED BY:

BUILDING DROPS, INC.
 398 E. DANIA BEACH BLVD., STE. 338
 DANIA BEACH, FL 33004
 PH: (954)399-8478
 FAX: (954)744.4738
 WEB: www.buildingdrops.com

TITLE: DESIGN PRO/SMOOTH PRO FULL LITE NON-IMPACT
 TYPICAL ANCHOR LAYOUTS AND NOTES
 3737 LAKEPORT BLVD.,
 KLAMATH FALLS, OR 97601
 PH: (541)882-3451
 FAX: (541)850-2609

REMARKS	BY	DATE
Add ADA sill, Multi-Point Lock & Radius Lite	GL	06/23/14
Reference DWG. #A010836A	AM	09/04/19

THE INSTALLATION DETAILS DESCRIBED HEREIN ARE GENERIC AND MAY NOT REFLECT ACTUAL CONDITIONS FOR A SPECIFIC SITE. IF SITE CONDITIONS CAUSE INSTALLATION TO DEVIATE FROM THE REQUIREMENTS DETAILED HEREIN, A LICENSED ENGINEER OR ARCHITECT SHALL PREPARE SITE SPECIFIC DOCUMENTS FOR USE WITH THIS DOCUMENT.



DATE: 02.05.14
 DWG. BY: GL/TJM
 CHK. BY: SS/MSS
 SCALE: NTS
 DWG. #: D015691
 SHEET: OF 10

PREPARED BY:

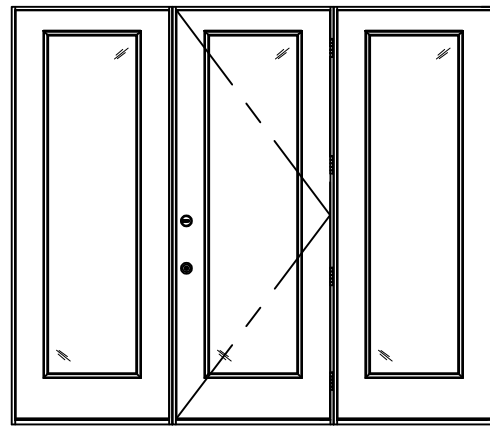


BUILDING DROPS, INC.
 398 E. DANIA BEACH BLVD., STE. 338
 DANIA BEACH, FL 33004
 PH: (954)399-8478
 FAX: (954)744-4738
 WEB: www.buildingdrops.com

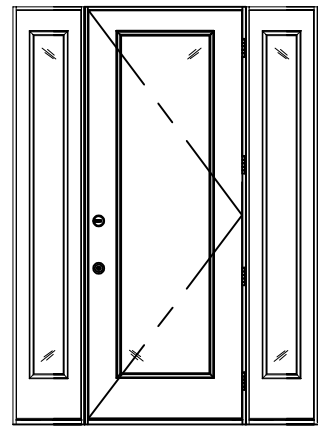
TITLE: DESIGN PRO/SMOOTH PRO FULL LITE
 NON-IMPACT
 QUALIFIED CONFIGURATIONS
 & GLAZING DETAIL

3737 LAKEPORT BLVD.,
 KLAMATH FALLS, OR 97601
 PH: (541)882-3451
 FAX: (541)850-2609

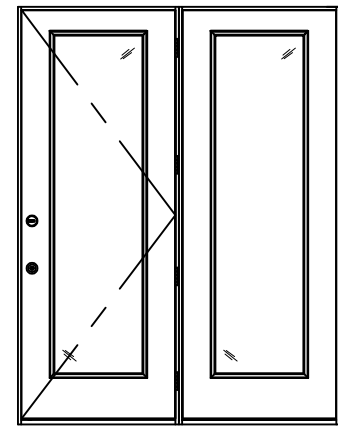
JELDOWEN
 WINDOWS & DOORS



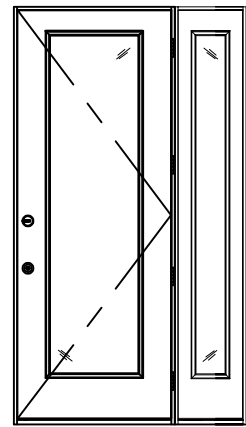
1
4 O,X,O ELEVATION
 WITH 3'0" SIDELITES



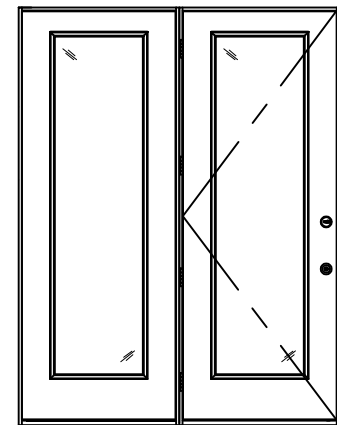
2
4 O,X,O ELEVATION
 WITH 1'3" SIDELITES



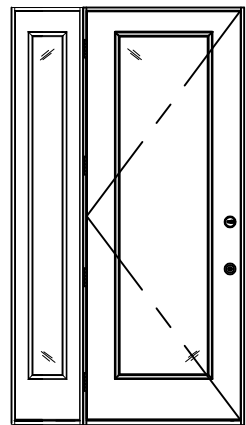
3
4 X,O ELEVATION
 WITH 3'0" SIDELITE



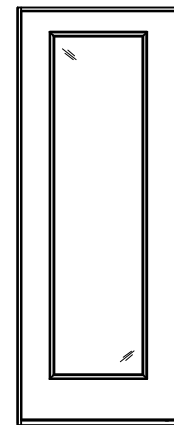
4
4 X,O ELEVATION
 WITH 1'3" SIDELITE



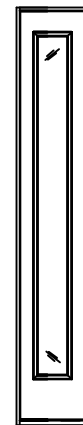
5
4 X,O ELEVATION
 WITH 3'0" SIDELITE



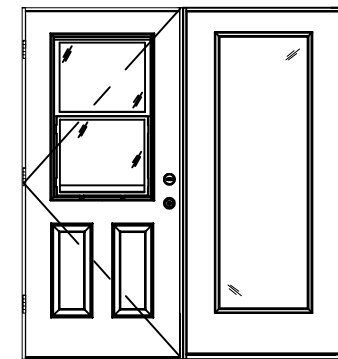
6
4 X,O ELEVATION
 WITH 1'3" SIDELITE



7
4 O ELEVATION
 3'-0" SIDELITE

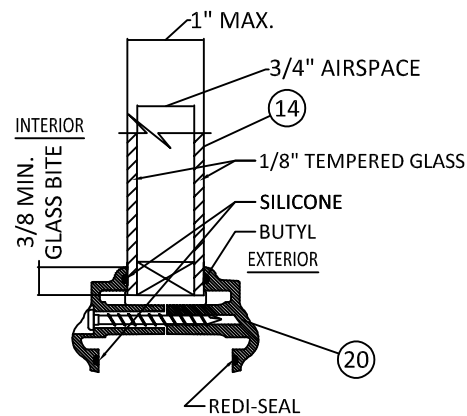


8
4 O ELEVATION
 1'3" SIDELITE

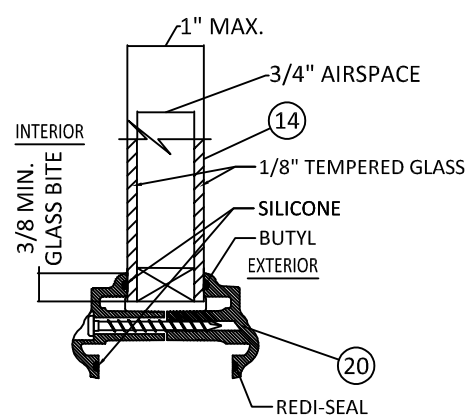


9
3 X,O ELEVATION
 WITH OPTIONAL VENT LITE DOOR
 SEE DETAIL BELOW

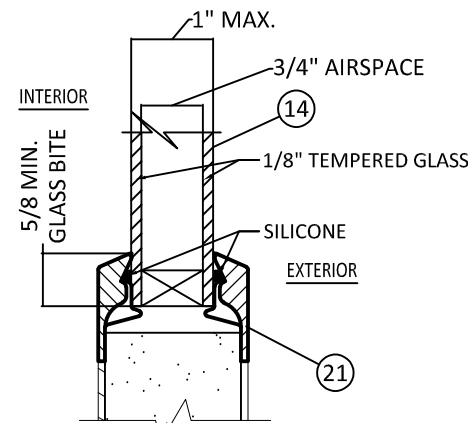
NOTE:
 ALL DOORS SHOWN IN CONFIGURATIONS
 ON THIS SHEET MAY BE LEFT HAND OR
 RIGHT HAND OPERATING DOORS.



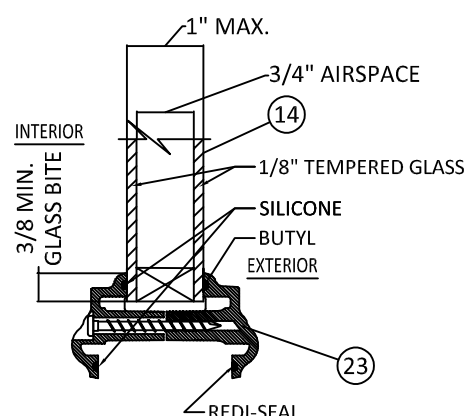
8
3 6'-8" GLAZING DETAIL
 20 1/2" MAX. D.L.O. WIDTH
 62 1/2" MAX. D.L.O. HEIGHT



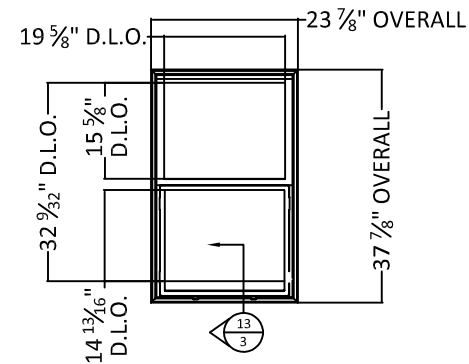
10
3 8'-0" GLAZING DETAIL
 20 1/2" MAX. D.L.O. WIDTH
 78 1/2" MAX. D.L.O. HEIGHT



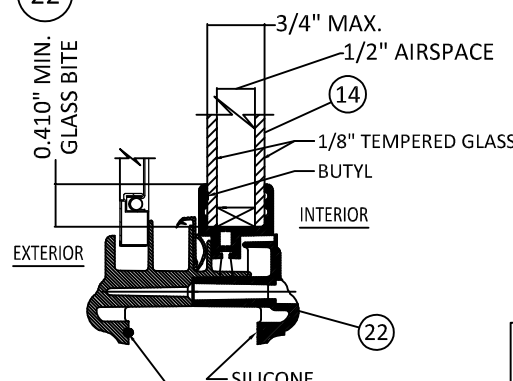
11
3 FLUSH GLAZE DETAIL
 23 7/8" MAX. D.L.O. WIDTH
 78 7/8" MAX. D.L.O. HEIGHT



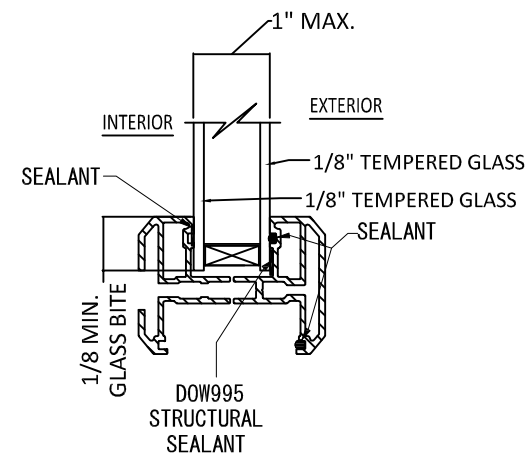
12
3 GLAZING DETAIL
 FOR OVAL, SUNBURST, AND ROUND TOPS
 IN 6'-8" UNITS AT DP-1/50 SF ONLY



13
3 ODV VENT LITE ASSEMBLY



22
3 GLAZING DETAIL
 FOR HALF LITE VENT LITES
 IN 6'-8" UNITS ONLY

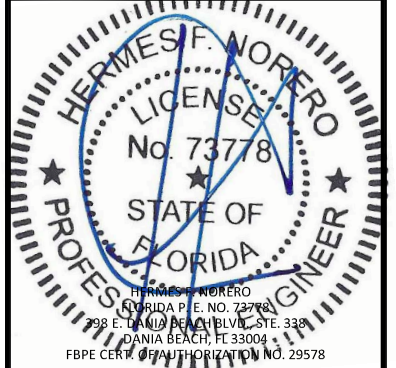


14
3 GLAZING DETAIL OPTION
 20 1/2" MAX D.L.O. WIDTH
 78 1/2" MAX D.L.O. HEIGHT
 3-0 X 6-8 - DP 50/55
 6-0 X 6-8 - DP 50/55
 3-0 X 8-0 - DP 45
 6-0 X 8-0 - DP 45

NOTE:
 FRACTIONAL GLAZING, INCLUDING INTERNAL GRID, BLINDS
 BETWEEN GLASS, DECORATIVE, EXTERNAL AND INTERNAL
 WROUGHT IRON AND RADIUS (SHAPED) LITES ARE APPROVED
 IN ALL GLAZING DETAILS SHOWN ABOVE.

REMARKS	BY	DATE
Add ADA sill, Multi-Point Lock & Radius Lite	GL	06/23/14
Reference DWG. #A010836A	AM	09/04/19

THE INSTALLATION DETAILS DESCRIBED HEREIN ARE GENERIC AND MAY NOT REFLECT ACTUAL CONDITIONS FOR A SPECIFIC SITE. IF SITE CONDITIONS CAUSE INSTALLATION TO DEVIATE FROM THE REQUIREMENTS DETAILED HEREIN, A LICENSED ENGINEER OR ARCHITECT SHALL PREPARE SITE SPECIFIC DOCUMENTS FOR USE WITH THIS DOCUMENT.



DATE: 02.05.14	
DWG. BY: GL/TJM	CHK. BY: SS/MSS
SCALE: NTS	
DWG. #: D015691	
SHEET: OF 10	

PREPARED BY:

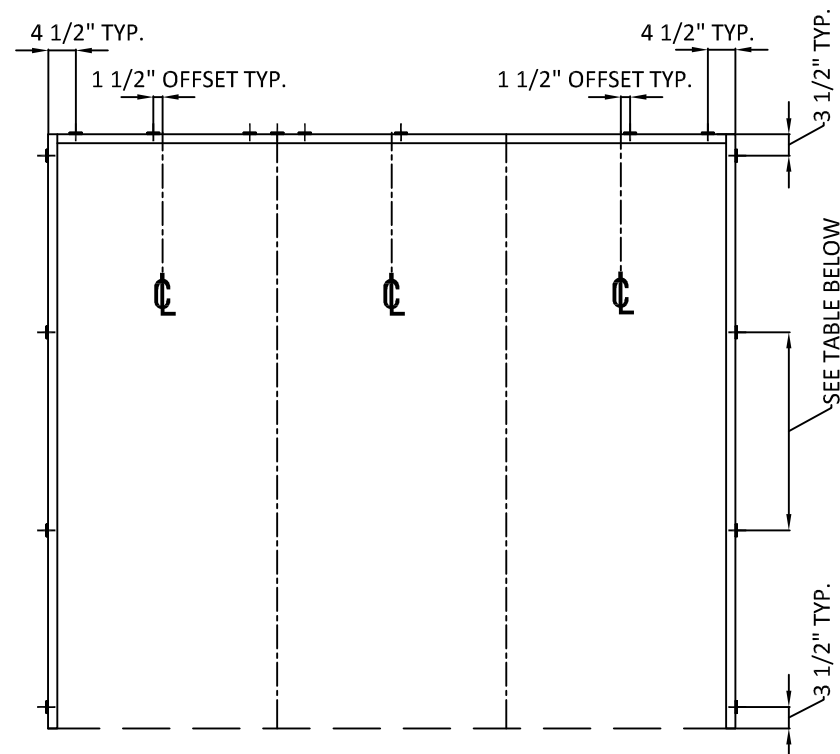


BUILDING DROPS, INC.
 398 E. DANIA BEACH BLVD., STE. 338
 DANIA BEACH, FL 33004
 PH: (954)399-8478
 FAX: (954)744.4738
 WEB: www.buildingdrops.com

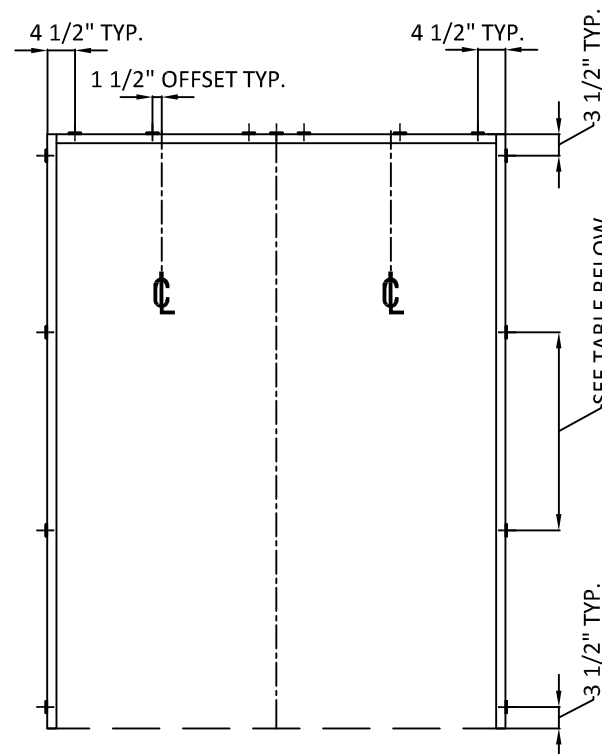
TITLE: DESIGN PRO/SMOOTH PRO FULL LITE
 NON-IMPACT

OPTIONAL 2X BUCK
 ANCHORING DETAILS

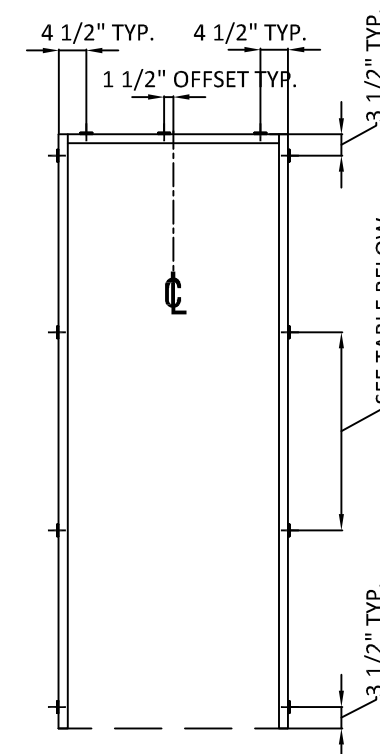
3737 LAKEPORT BLVD.,
 KLAMATH FALLS, OR 97601
 PH: (541)882-3451
 FAX: (541)850-2609



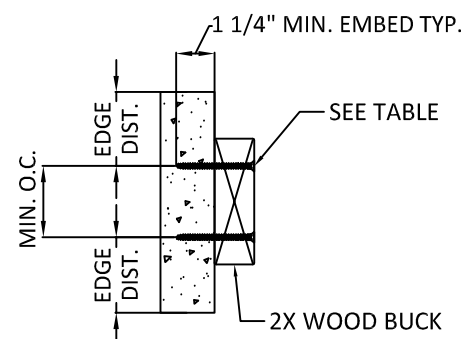
1 TYP. ANCHOR LAYOUT
 5 OPTIONAL 2X BUCK IN CONCRETE/MASONRY



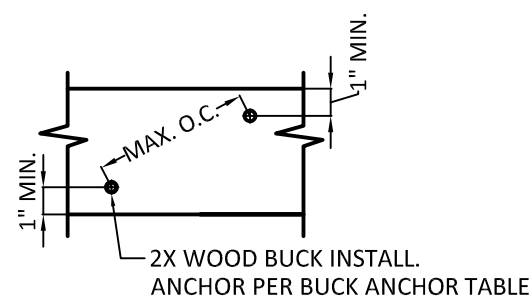
2 TYP. ANCHOR LAYOUT
 5 OPTIONAL 2X BUCK IN CONCRETE/MASONRY



3 TYP. ANCHOR LAYOUT
 5 OPTIONAL 2X BUCK IN CONCRETE/MASONRY



3 2X WOOD BUCK INSTALL.
 5 CROSS SECTION



4 2X WOOD BUCK INSTALL.
 5 SIDE VIEW

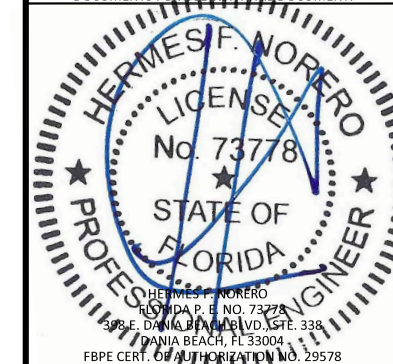
2X BUCK ANCHOR TABLE							
ANCHOR TYPE	ANCHOR SIZE	SUBSTRATE	MIN. EMBEDMENT	MIN. EDGE DIST. TO SUBSTRATE	MIN. CENTER TO CENTER DISTANCE	6'8" DOORS	8'0" DOORS
						MAX. O.C. SPACING AT JAMBS	MAX. O.C. SPACING AT JAMBS
ITW TAPCON	1/4"	CONCRETE/CMU	1-1/4"	2-1/2"	4"	25"	30-1/4"
ELCO ULTRACON	1/4"	CONCRETE/CMU	1-3/8" - CONC. 1-1/4" - CMU	1"	4"	25"	30-1/4"

NOTES:

- 2X BUCK IS NOT FOR INSTALLATION AT SILL. THRESHOLD SHALL BE FASTENED IN ACCORDANCE WITH ANCHOR LOCATIONS SHOWN ON SHEET 3.
- ANCHORS MAY BE STAGGERED AS SHOWN IN DETAIL 4/5.

REMARKS	BY	DATE
Add ADA sill, Multi-Point Lock & Radius Lite	GL	06/23/14
Reference DWG. #A010836A	AM	09/04/19

THE INSTALLATION DETAILS DESCRIBED HEREIN ARE GENERIC AND MAY NOT REFLECT ACTUAL CONDITIONS FOR A SPECIFIC SITE. IF SITE CONDITIONS CAUSE INSTALLATION TO DEVIATE FROM THE REQUIREMENTS DETAILED HEREIN, A LICENSED ENGINEER OR ARCHITECT SHALL PREPARE SITE SPECIFIC DOCUMENTS FOR USE WITH THIS DOCUMENT.



DATE: 02.05.14

DWG. BY: GL/TJM | CHK. BY: SS/MSS

SCALE: NTS

DWG. #: D015691

SHEET: OF 10

PREPARED BY:



BUILDING DROPS, INC.
 398 E. DANIA BEACH BLVD., STE. 338
 DANIA BEACH, FL 33004
 PH: (954)399-8478
 FAX: (954)744.4738
 WEB: www.buildingdrops.com

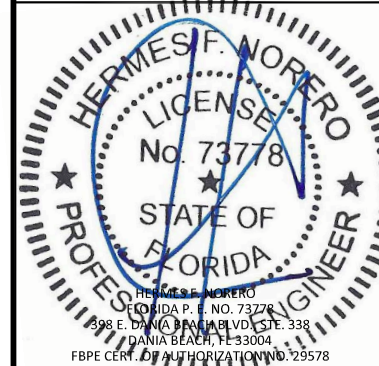
TITLE: DESIGN PRO/SMOOTH PRO FULL LITE
 NON-IMPACT
 VERTICAL ASSEMBLIES

3737 LAKEPORT BLVD.,
 KLAMATH FALLS, OR 97601
 PH: (541)882-3451
 FAX: (541)850-2609

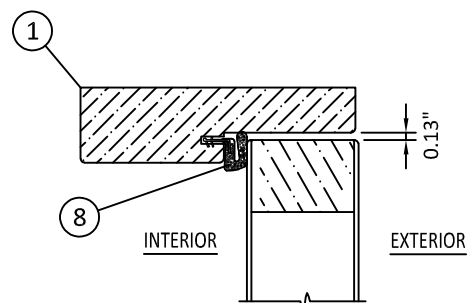
JELDOWEN
 WINDOWS & DOORS

REMARKS	BY	DATE
Add ADA sill, Multi-Point Lock & Radius Lite	GL	06/23/14
Reference DWG. #A010836A	AM	09/04/19

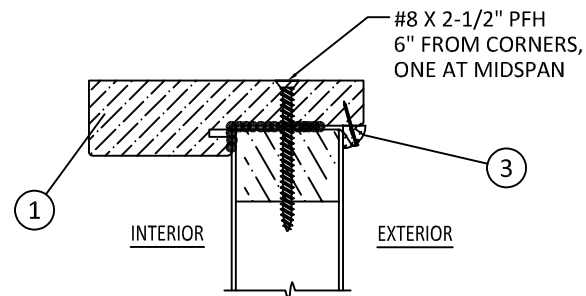
THE INSTALLATION DETAILS DESCRIBED HEREIN ARE GENERIC AND MAY NOT REFLECT ACTUAL CONDITIONS FOR A SPECIFIC SITE. IF SITE CONDITIONS CAUSE INSTALLATION TO DEVIATE FROM THE REQUIREMENTS DETAILED HEREIN, A LICENSED ENGINEER OR ARCHITECT SHALL PREPARE SITE SPECIFIC DOCUMENTS FOR USE WITH THIS DOCUMENT.



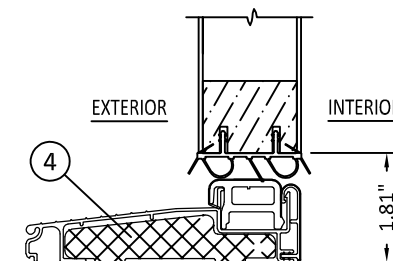
DATE:	02.05.14
DWG. BY:	GL/TJM
CHK. BY:	SS/MSS
SCALE:	NTS
DWG. #:	D015691
SHEET:	OF 10



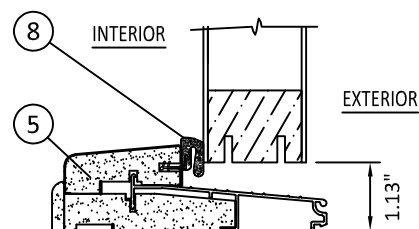
1
6 OPERABLE HEAD
 OUTSWING SHOWN - INSWING SIMILAR



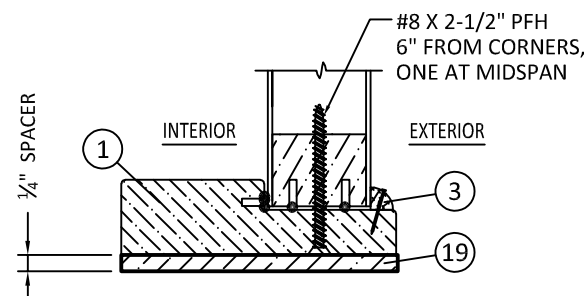
2
6 SIDELITE HEAD
 OUTSWING SHOWN - INSWING SIMILAR



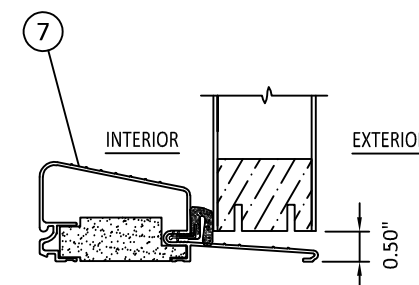
3
6 OPERABLE SILL
 INSWING



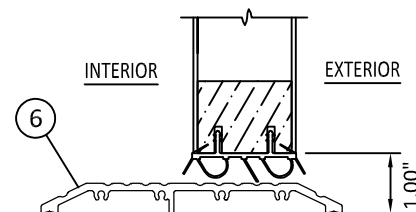
4
6 OPERABLE SILL
 OUTSWING



5
6 SIDELITE SILL
 OUTSWING SHOWN - INSWING SIMILAR



7
6 OPERABLE SILL
 OUTSWING
 OPTIONAL AFCO H-497



8
6 OPERABLE ADA SILL
 INSWING/OUTSWING

PREPARED BY:



BUILDING DROPS, INC.
 398 E. DANIA BEACH BLVD., STE. 338
 DANIA BEACH, FL 33004
 PH: (954)399-8478
 FAX: (954)744-4738
 WEB: www.buildingdrops.com

TITLE: DESIGN PRO/SMOOTH PRO FULL LITE NON-IMPACT HORIZONTAL ASSEMBLIES

3737 LAKEPORT BLVD.,
 KLAMATH FALLS, OR 97601
 PH: (541)882-3451
 FAX: (541)850-2609
JELDOWEN
 WINDOWS & DOORS

REMARKS	BY	DATE
Add ADA sill, Multi-Point Lock & Radius Lite	GL	06/23/14
Reference DWG. #A010836A	AM	09/04/19

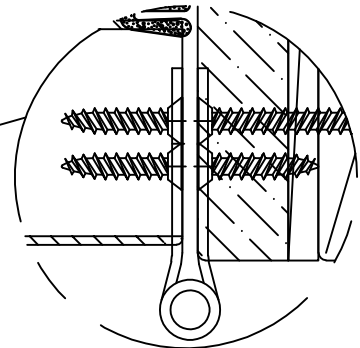
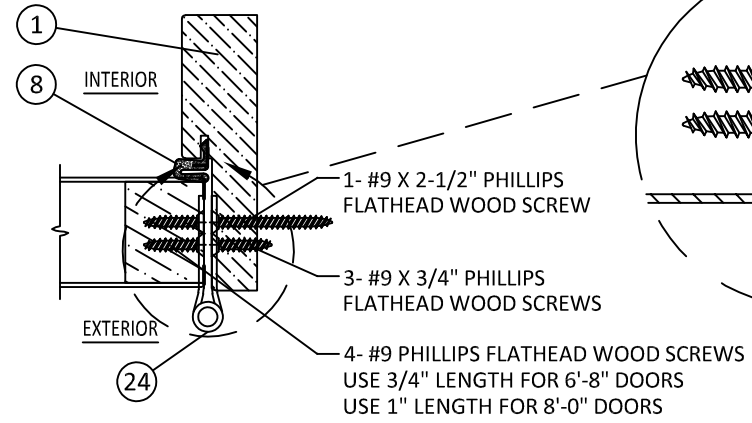
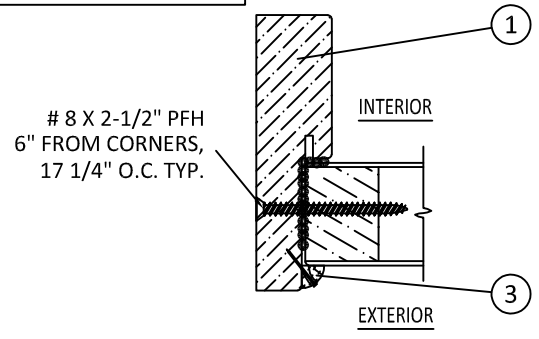
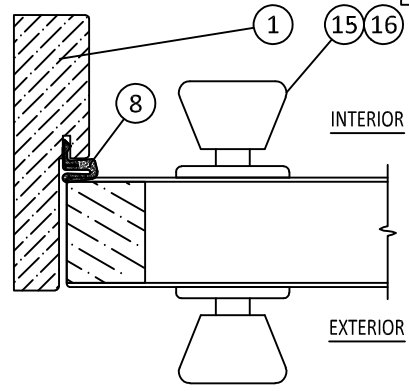
THE INSTALLATION DETAILS DESCRIBED HEREIN ARE GENERIC AND MAY NOT REFLECT ACTUAL CONDITIONS FOR A SPECIFIC SITE. IF SITE CONDITIONS CAUSE INSTALLATION TO DEVIATE FROM THE REQUIREMENTS DETAILED HEREIN, A LICENSED ENGINEER OR ARCHITECT SHALL PREPARE SITE SPECIFIC DOCUMENTS FOR USE WITH THIS DOCUMENT.



DATE:	02.05.14
DWG. BY:	GL/TJM
CHK. BY:	SS/MSS
SCALE:	NTS
DWG. #:	D015691
SHEET:	OF 10

NOTE:
 HINGE AND LOCK ARE INTERCHANGEABLE AT THE MULLION.

HINGE DETAIL AT JAMB:
 PLACE #9 X 2-1/2" PFH SCREW NEXT TO WEATHERSTRIP

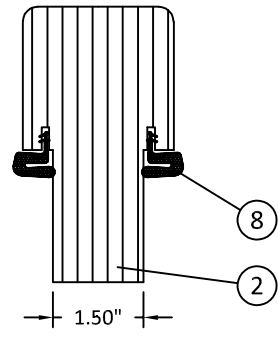
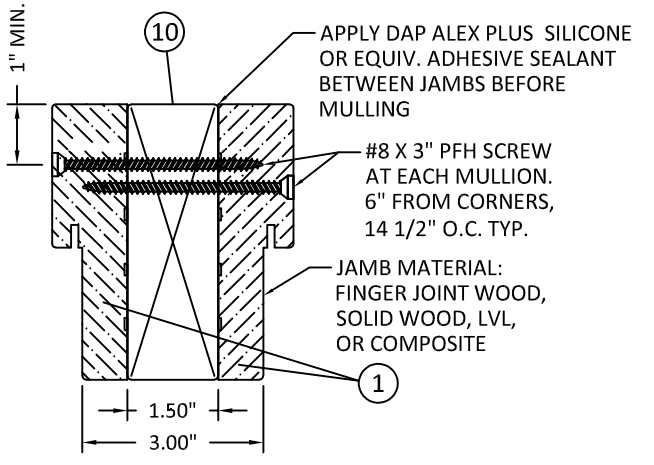
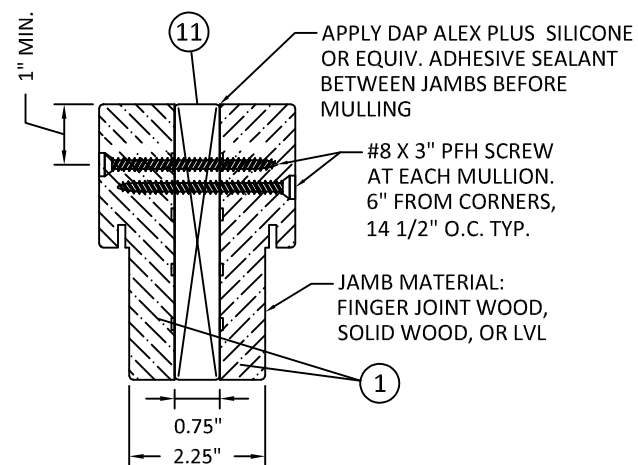
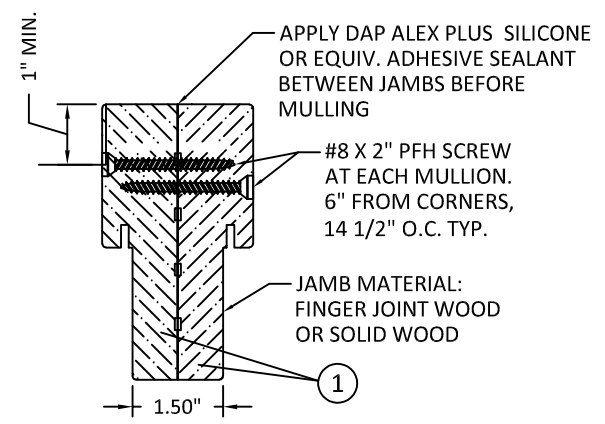


HINGE SCHEDULE	
DOOR HEIGHT	QUANTITY
6'-8"	3
8'-0"	4

1
7 LOCK JAMB
 OUTSWING SHOWN - INSWING SIMILAR

2
7 FIXED JAMB
 OUTSWING SHOWN - INSWING SIMILAR

3
7 HINGE JAMB
 OUTSWING SHOWN - INSWING SIMILAR

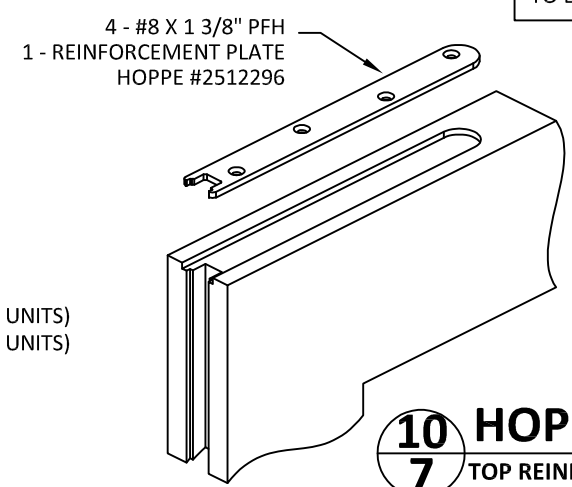
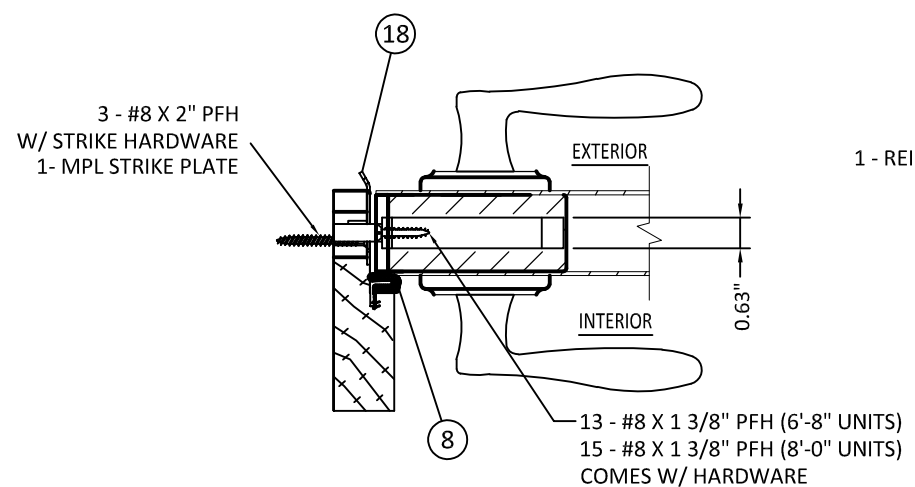
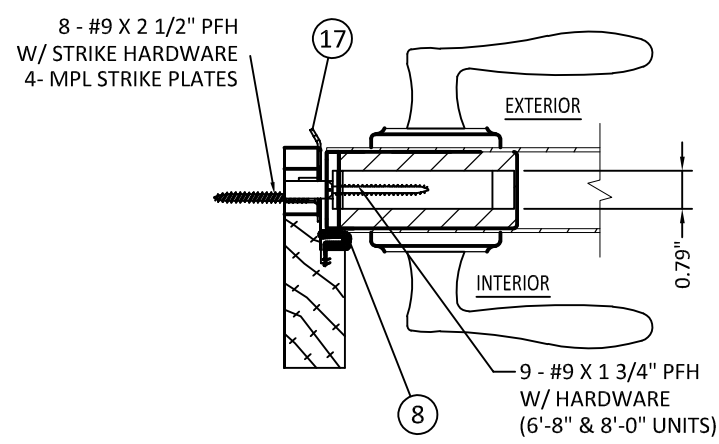


4
7 BACK-TO-BACK JAMB
 NO MULLION REINFORCEMENT

5
7 BACK-TO-BACK JAMB
 1X MULLION REINFORCEMENT

6
7 BACK-TO-BACK JAMB
 2X MULLION REINFORCEMENT

7
6 INTEGRAL MULLION
 FOR 6'8" AND 8'0" UNITS



NOTE:
 ALL SOLID WOOD USED IN MULLION ASSEMBLIES ABOVE TO BE PONDEROSA PINE (MIN. S.G. = 0.45) OR GREATER.

8
7 ROCKWELL MULTI-POINT LOCK
 OUTSWING SHOWN - INSWING SIMILAR

9
7 HOPPE MULTI-POINT LOCK
 OUTSWING SHOWN - INSWING SIMILAR

10
7 HOPPE MULTI-POINT LOCK
 TOP REINFORCEMENT PLATE - ACTIVE PANEL ONLY

PREPARED BY:



BUILDING DROPS, INC.
 398 E. DANIA BEACH BLVD., STE. 338
 DANIA BEACH, FL 33004
 PH: (954)399-8478
 FAX: (954)744.4738
 WEB: www.buildingdrops.com

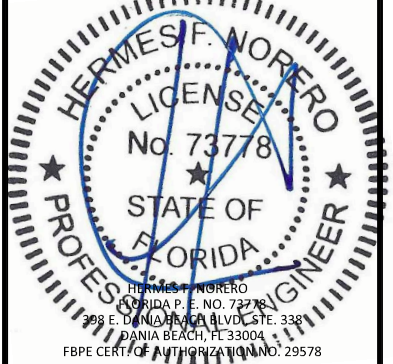
TITLE: DESIGN PRO/SMOOTH PRO FULL LITE
 NON-IMPACT
 WOOD SUBSTRATES

3737 LAKEPORT BLVD.,
 KLAMATH FALLS, OR 97601
 PH: (541)882-3451
 FAX: (541)850-2609

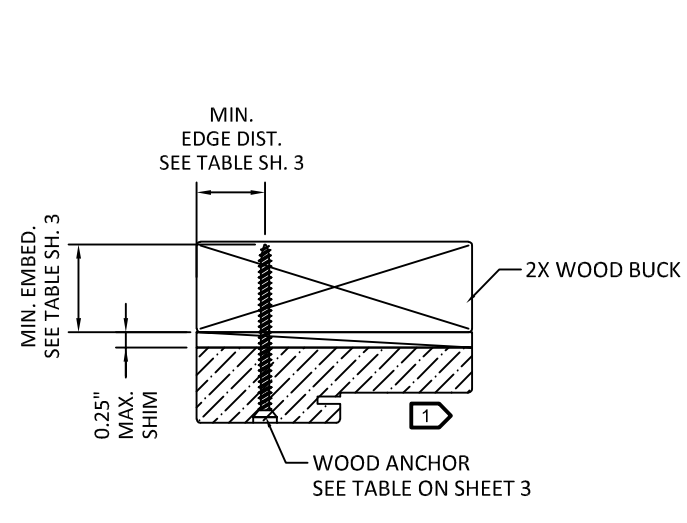
JELDOWEN
 WINDOWS & DOORS

REMARKS	BY	DATE
Add ADA sill, Multi-Point Lock & Radius Lite	GL	06/23/14
Reference DWG. #A010836A	AM	09/04/19

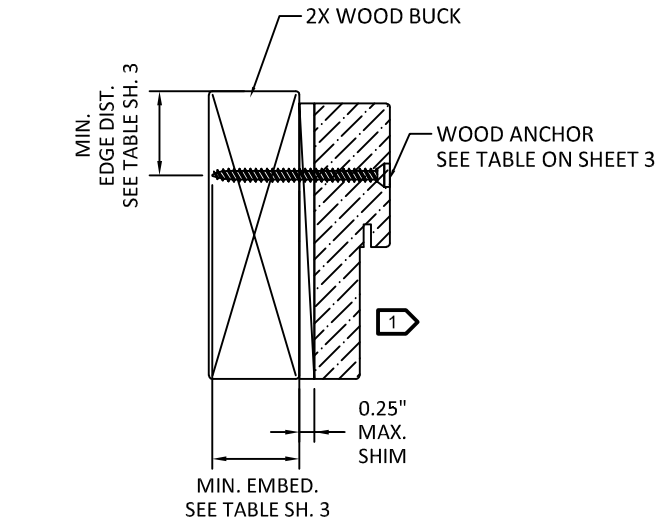
THE INSTALLATION DETAILS DESCRIBED HEREIN ARE GENERIC AND MAY NOT REFLECT ACTUAL CONDITIONS FOR A SPECIFIC SITE. IF SITE CONDITIONS CAUSE INSTALLATION TO DEVIATE FROM THE REQUIREMENTS DETAILED HEREIN, A LICENSED ENGINEER OR ARCHITECT SHALL PREPARE SITE SPECIFIC DOCUMENTS FOR USE WITH THIS DOCUMENT.



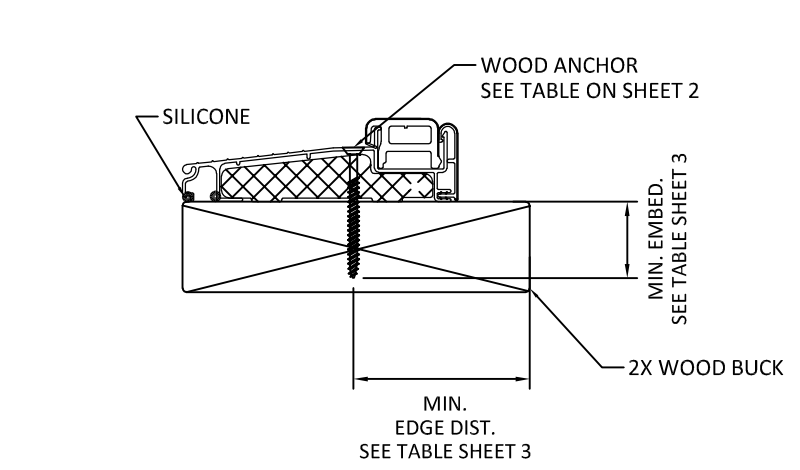
DATE:	02.05.14
DWG. BY:	GL/TJM
CHK. BY:	SS/MSS
SCALE:	NTS
DWG. #:	D015691
SHEET:	OF 10



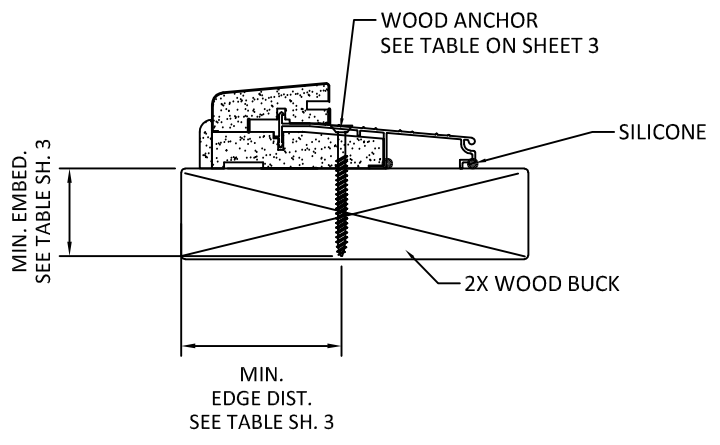
1
8 HEAD (TYPICAL)
 OUTSWING SHOWN - INSWING SIMILAR



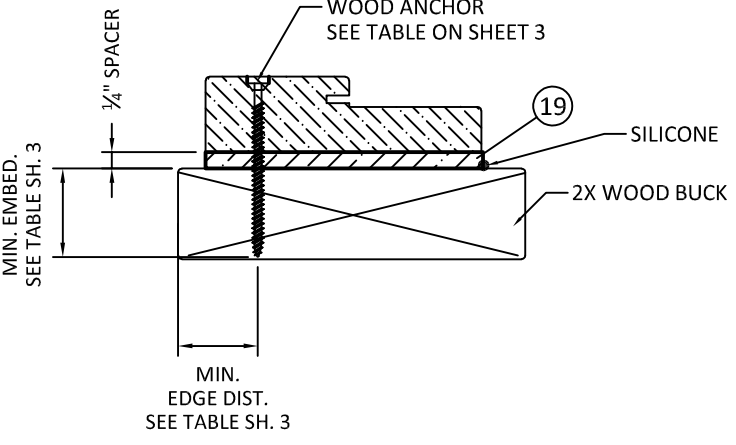
2
8 JAMB (TYPICAL)
 OUTSWING SHOWN - INSWING SIMILAR



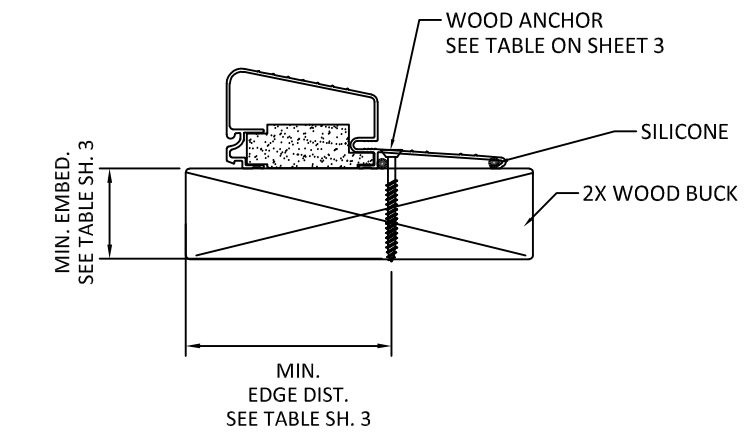
3
8 OPERABLE SILL
 INSWING



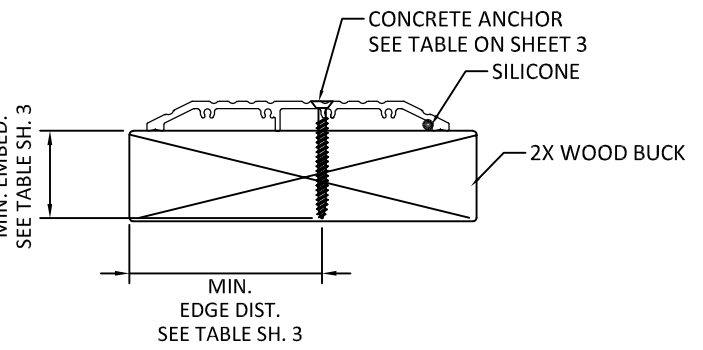
4
8 OPERABLE SILL
 OUTSWING



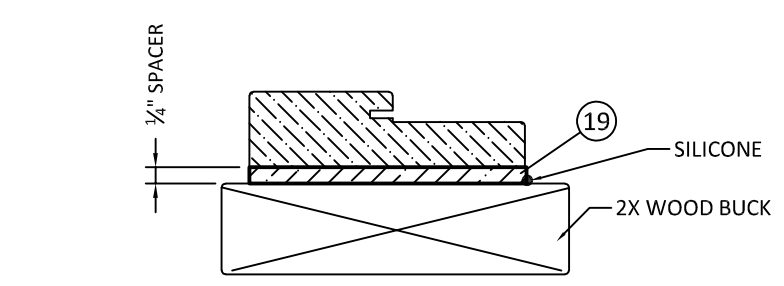
5
8 SIDELITE SILL (MULLED UNIT)
 OUTSWING SHOWN - INSWING SIMILAR



7
8 OPERABLE SILL
 HIGH BUMP OUTSWING
 AFCO H-497



8
8 OPERABLE ADA SILL
 INSWING/OUTSWING



9
8 SIDELITE SILL (STAND-ALONE)
 OUTSWING SHOWN - INSWING SIMILAR
 NO ANCOR REQUIRED

1 OPTIONALLY, ANCHOR CAN BE PLACED IN NARROW SECTION OF HEAD OR JAMB AS LONG AS MINIMUM EMBEDMENT AND EDGE DISTANCE ARE ACHIEVED.

PREPARED BY:



BUILDING DROPS, INC.

398 E. DANIA BEACH BLVD., STE. 338
DANIA BEACH, FL 33004
PH: (954)399-8478
FAX: (954)744-4738
WEB: www.buildingdrops.com

DESIGN PRO/SMOOTH PRO FULL LITE
NON-IMPACT

CONCRETE SUBSTRATES

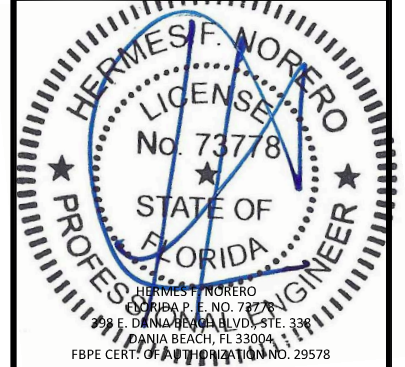
3737 LAKEPORT BLVD.,
KLAMATH FALLS, OR 97601
PH: (541)882-3451
FAX: (541)850-2609

JELD-WEN
WINDOWS & DOORS

TITLE:

REMARKS	BY	DATE
Add ADA sill, Multi-Point Lock & Radius Lite	GL	06/23/14
Reference DWG. #A010836A	AM	09/04/19

THE INSTALLATION DETAILS DESCRIBED HEREIN ARE GENERIC AND MAY NOT REFLECT ACTUAL CONDITIONS FOR A SPECIFIC SITE. IF SITE CONDITIONS CAUSE INSTALLATION TO DEVIATE FROM THE REQUIREMENTS DETAILED HEREIN, A LICENSED ENGINEER OR ARCHITECT SHALL PREPARE SITE SPECIFIC DOCUMENTS FOR USE WITH THIS DOCUMENT.



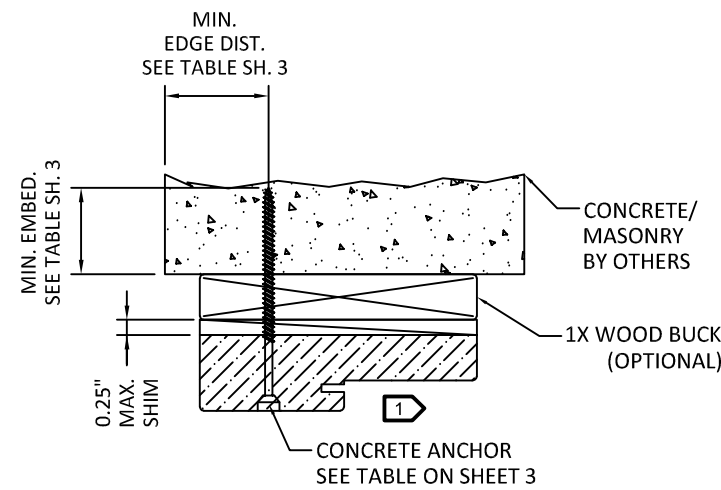
DATE: 02.05.14

DWG. BY: GL/TJM CHK. BY: SS/MSS

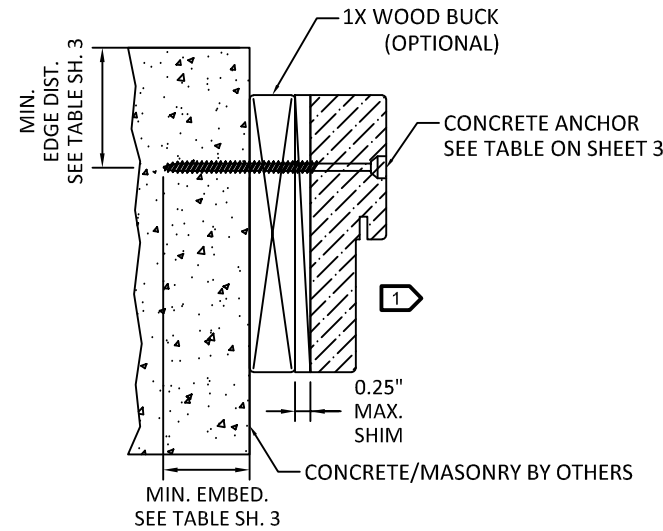
SCALE: NTS

DWG. #: D015691

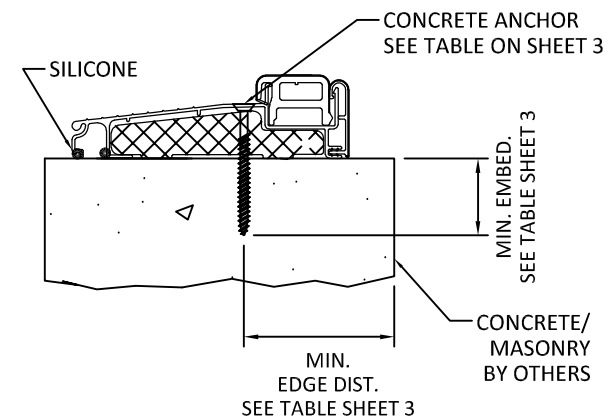
SHEET: OF 10



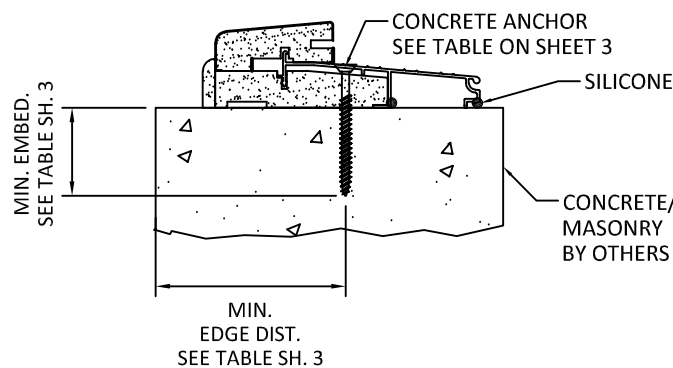
1
9 **HEAD (TYPICAL)**
OUTSWING SHOWN - INSWING SIMILAR



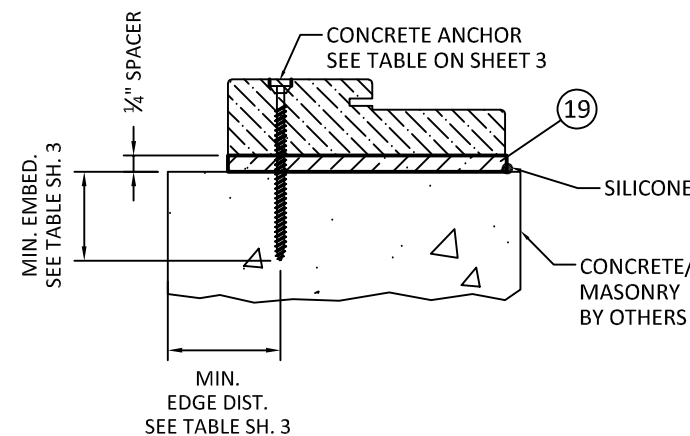
2
9 **JAMB (TYPICAL)**
OUTSWING SHOWN - INSWING SIMILAR



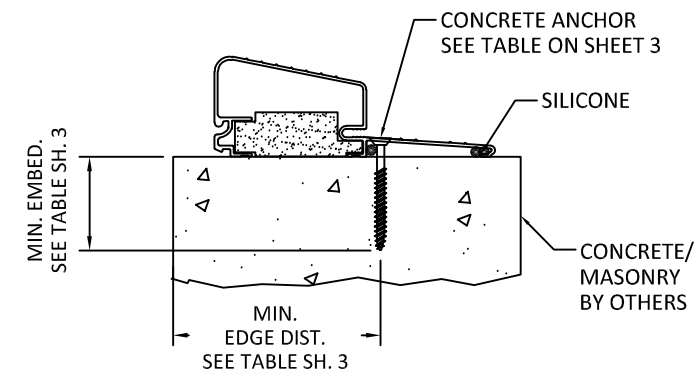
3
9 **OPERABLE SILL**
INSWING



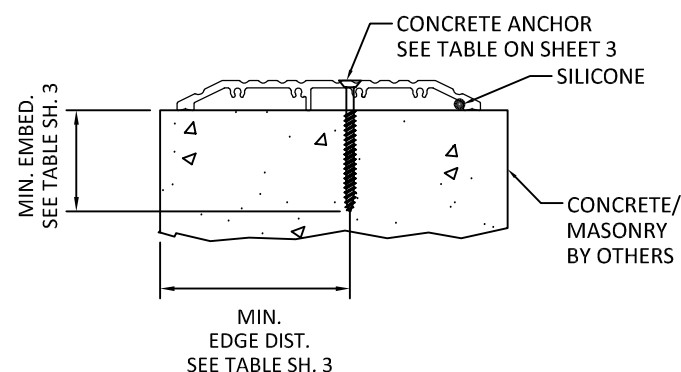
4
9 **OPERABLE SILL**
OUTSWING



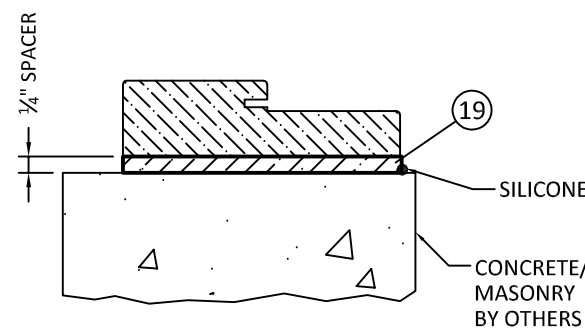
5
9 **SIDELITE SILL (MULLED UNIT)**
OUTSWING SHOWN - INSWING SIMILAR



7
9 **OPERABLE SILL**
HIGH BUMP OUTSWING
AFco H-497



8
9 **OPERABLE SILL**
OUTSWING/INSWING
ADA

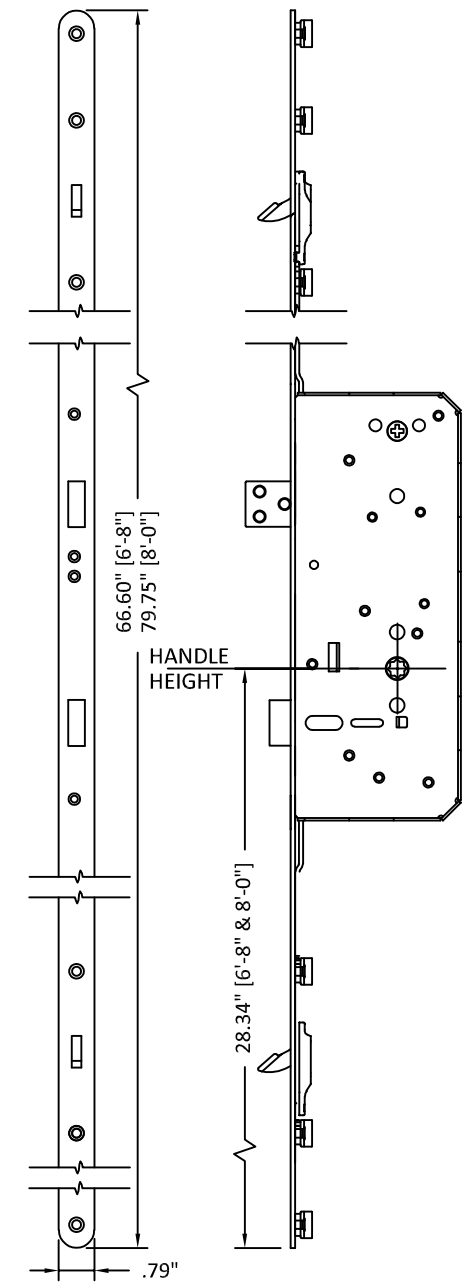


9
9 **SIDELITE SILL (MULLED UNIT)**
OUTSWING SHOWN - INSWING SIMILAR
NO ANCHOR REQUIRED

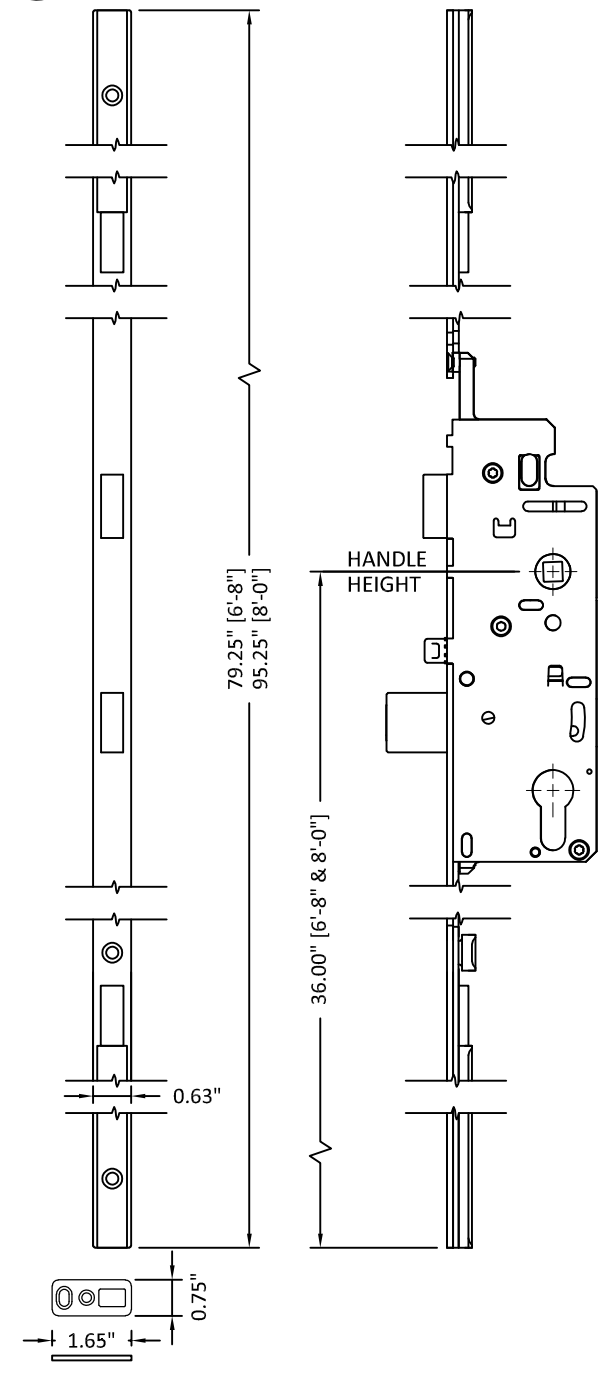
1 OPTIONALLY, ANCHOR CAN BE PLACED IN NARROW SECTION OF HEAD OR JAMB AS LONG AS MINIMUM EMBEDMENT AND EDGE DISTANCE ARE ACHIEVED.

BILL OF MATERIALS		
ITEM#	DESCRIPTION	MATERIAL
1	FRAME HEAD/JAMBS	FINGER-JOINTED PINE
		SOLID PINE
		LAMINATED VENEER LUMBER
		COMPOSITE
2	INTEGRAL MULL	LAMINATED VENEER LUMBER
3	SIDELITE STOP	WOOD OR PVC
4	THRESHOLD	-
5	THRESHOLD	-
6	ADA THRESHOLD	-
7	AFCO H-497 THRESHOLD	-
8	WEATHERSTRIP	URETHANE FOAM & POLYETHYLENE
9	NON-COMPRESSION SHIM (0.25" MAX. THK.)	COMPOSITE
10	2X WOOD (S.G. MUST BE 0.55 OR GREATER)	WOOD
11	1X WOOD (S.G. MUST BE 0.55 OR GREATER)	WOOD
12	#10 WOOD INSTALLATION SCREW W/ 1 1/2" MIN. EMBEDMENT	STEEL
13	CONC./CMU ANCHOR (SEE ANCHOR TABLE SHEETS 3 & 5)	STEEL
14	1" O.A. IG TEMPERED NON-IMPACT GLASS	-
15	LOCK SERIES 400	STEEL
16	DEADBOLT SERIES 780	STEEL
17	ROCKWELL MULTI-POINT TONGUE LATCH # 73228768 6-8 UNIT ROCKWELL MULTI-POINT TONGUE LATCH #73228780 8-0 UNIT	STEEL
18	HOPPE MULTI-POINT HARDWARE HLS9000 SINGLE SWING (X)	STEEL
19	PRESSURE TREATED SILL SPACER USED FOR FIXED PANEL	WOOD
20	ODL LITE KIT (LMI)	PLASTIC
21	FLUSH GLAZING LEG	FIBERGLASS
22	ODL LIPLITE KIT (VENT LITES)	PLASTIC
23	ODL LIPLITE KIT (RADIUS LITES)	PLASTIC
24	BUTT HINGE (SEE SCHEDULE SHEET 7)	STEEL
25	HOPPE MULTI-POINT HEAD SHOOT BOLT PLATE LH #8784091	STEEL
26	HOPPE MULTI-POINT HEAD SHOOT BOLT PLATE RH #8783923	STEEL
27	FLAT LITE KIT	ALUMINUM
28	PU DOOR CORE	

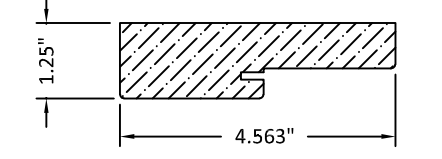
17 ROCKWELL MULTI-POINT LOCK



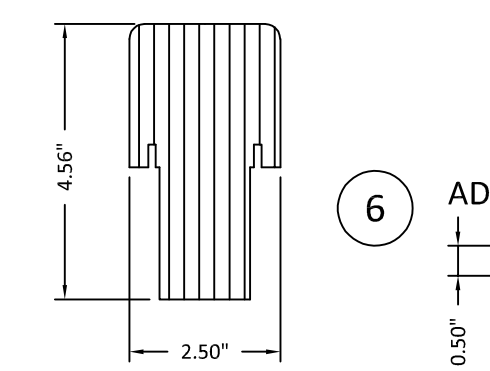
18 HOPPE MULTI-POINT LOCK W/ SILL SHOOT BOLT PLATE #2098911



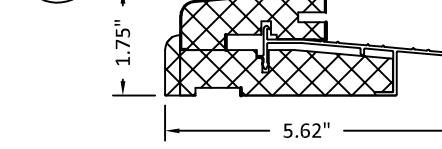
1 FRAME HEAD/JAMBS VARIES, SEE BOM ABOVE



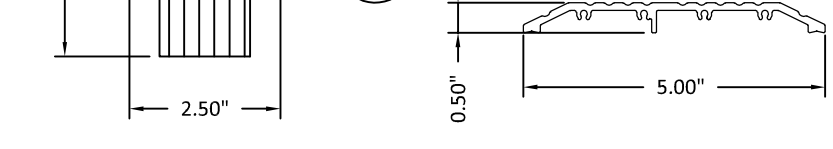
2 INTEGRAL MULLION LAMINATED VENEER LUMBER



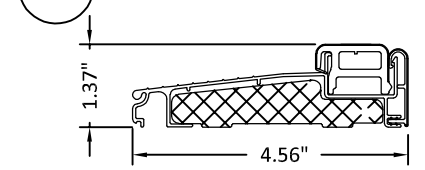
5 THRESHOLD



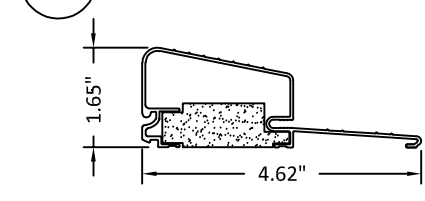
6 ADA THRESHOLD



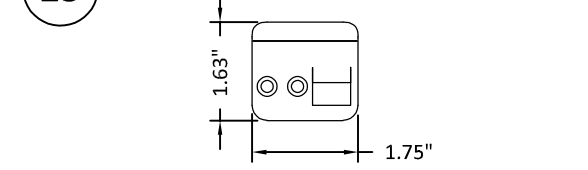
4 THRESHOLD



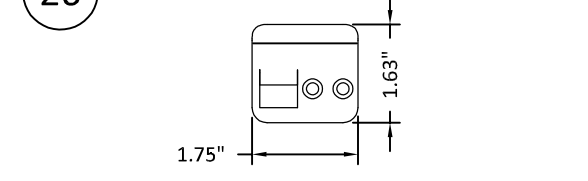
7 AFCO H-497 THRESHOLD



25 HEAD SHOOT BOLT PLATE (LH)



26 HEAD SHOOT BOLT PLATE (RH)



PREPARED BY:

BUILDING DROPS, INC.
 398 E. DANIA BEACH BLVD., STE. 338
 DANIA BEACH, FL 33004
 PH: (954)399-8478
 FAX: (954)744.4738
 WEB: www.buildingdrops.com

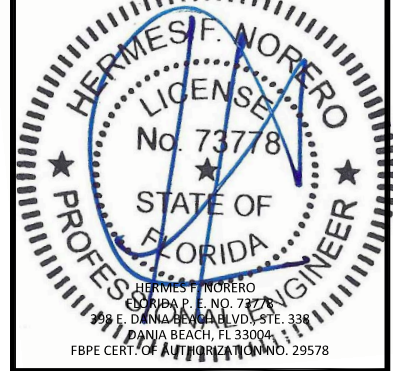
TITLE: DESIGN PRO/SMOOTH PRO FULL LITE NON-IMPACT COMPONENTS AND BILL OF MATERIALS

3737 LAKEPORT BLVD.,
 KLAMATH FALLS, OR 97601
 PH: (541)882-3451
 FAX: (541)850-2609

JELD-WEN
 WINDOWS & DOORS

REMARKS	BY	DATE
Add ADA sill, Multi-Point Lock & Radius Lite	GL	06/23/14
Reference DWG. #A010836A	AM	09/04/19

THE INSTALLATION DETAILS DESCRIBED HEREIN ARE GENERIC AND MAY NOT REFLECT ACTUAL CONDITIONS FOR A SPECIFIC SITE. IF SITE CONDITIONS CAUSE INSTALLATION TO DEVIATE FROM THE REQUIREMENTS DETAILED HEREIN, A LICENSED ENGINEER OR ARCHITECT SHALL PREPARE SITE SPECIFIC DOCUMENTS FOR USE WITH THIS DOCUMENT.



DATE:	02.05.14
DWG. BY:	GL/TJM
CHK. BY:	SS/MSS
SCALE:	NTS
DWG. #:	D015691
SHEET:	OF 10